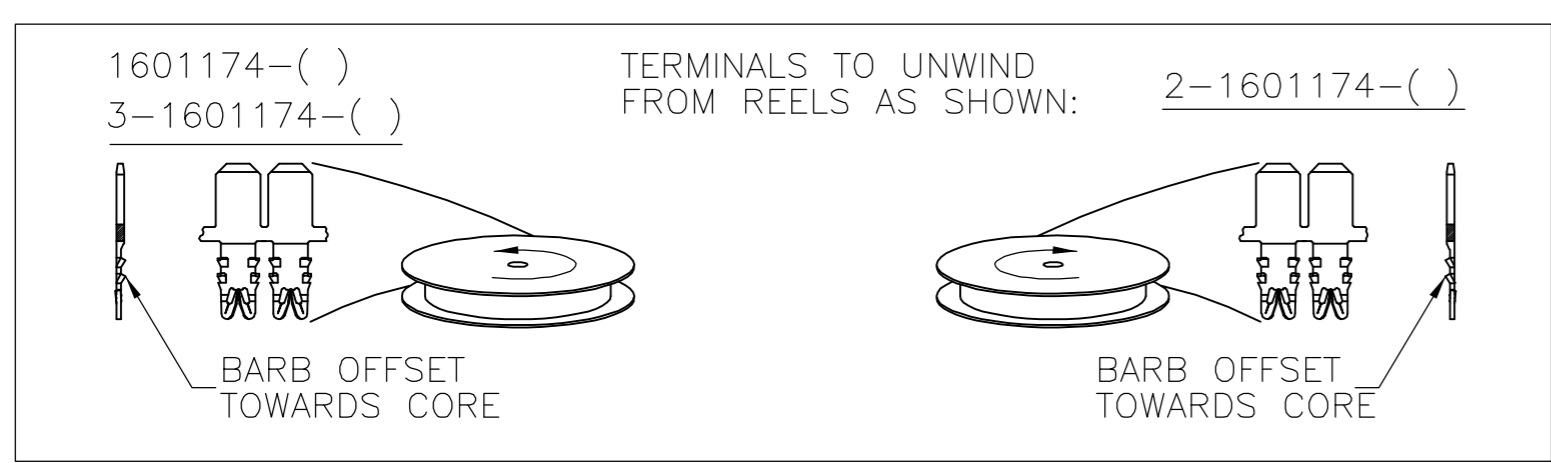
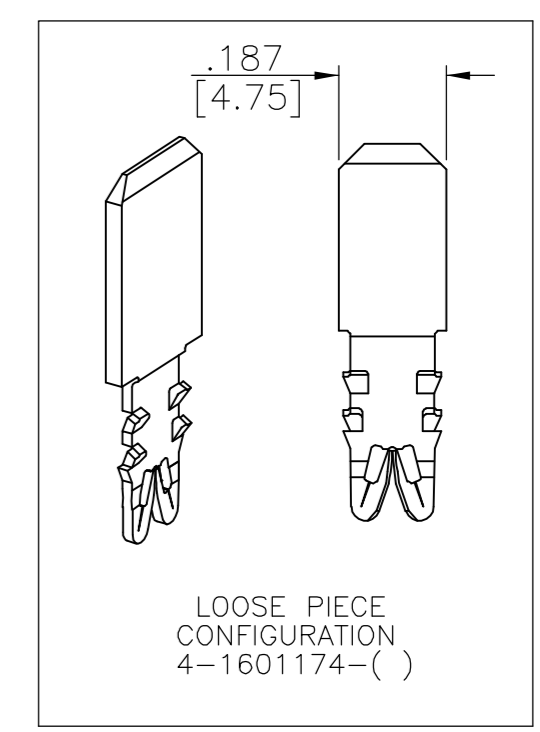
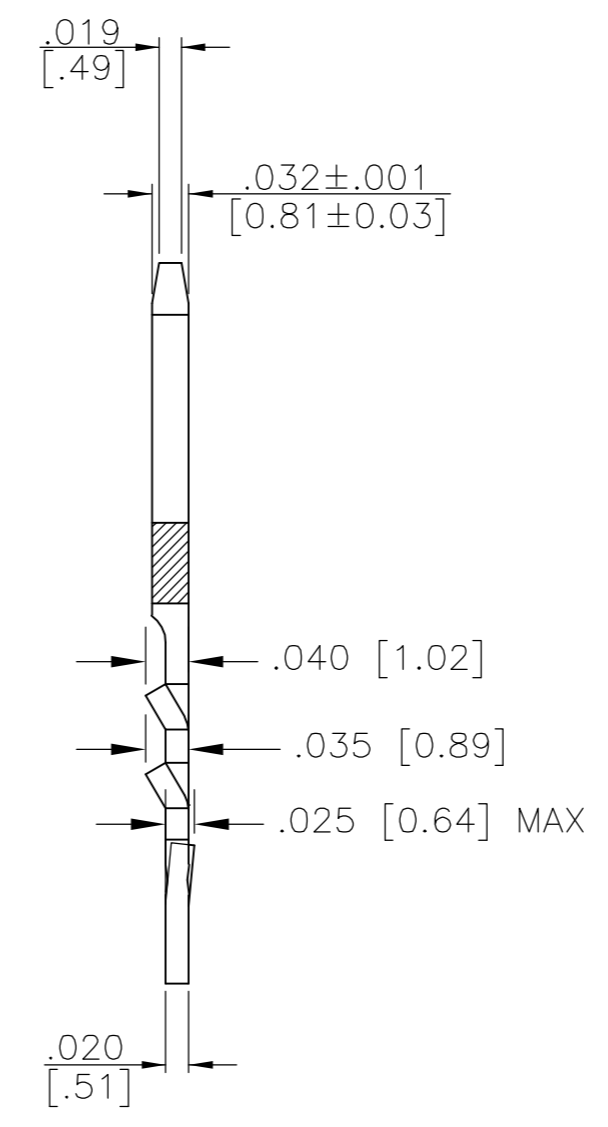
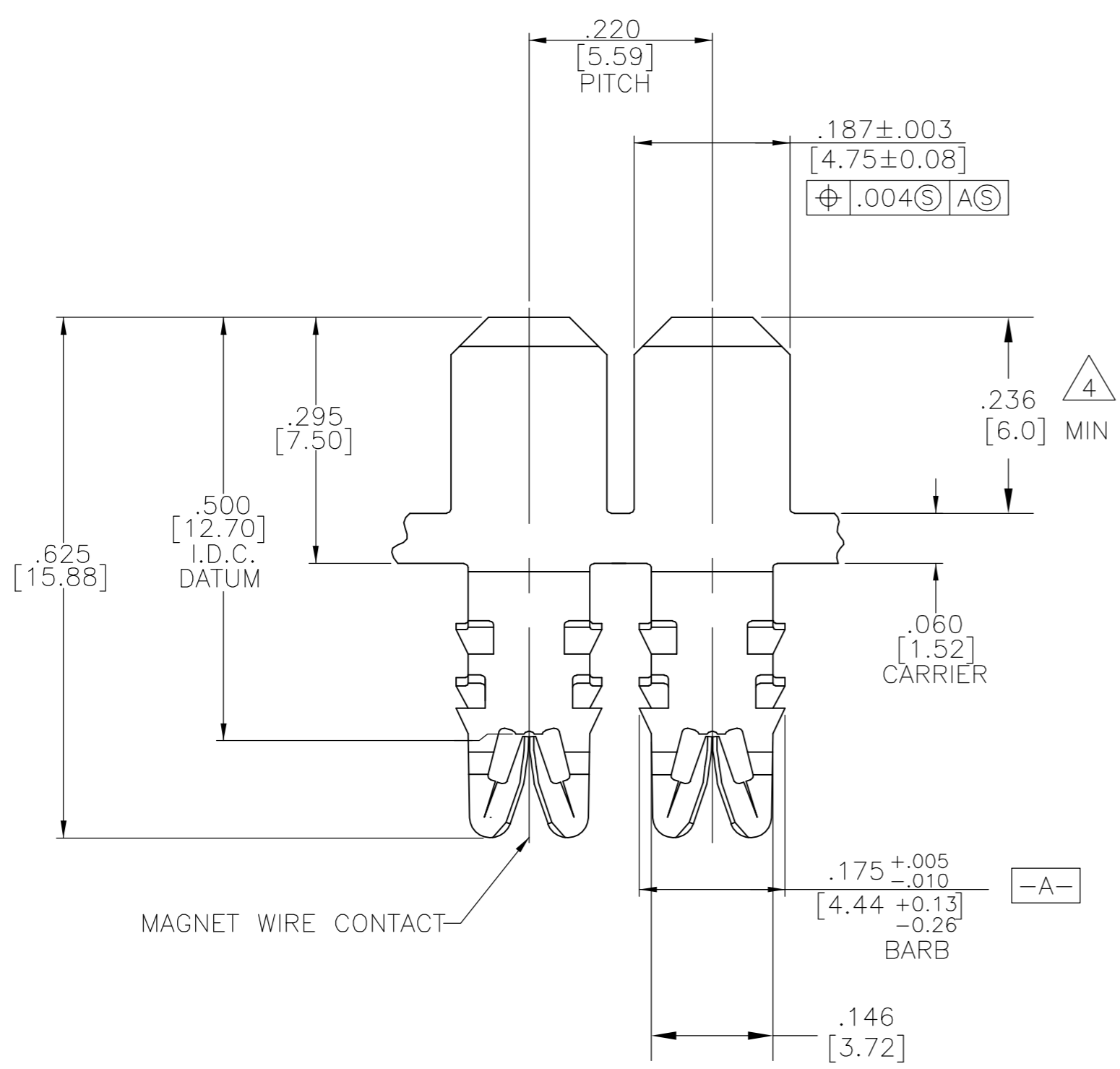


THIS DRAWING IS UNPUBLISHED. RELEASED FOR PUBLICATION
 © COPYRIGHT BY TYCO ELECTRONICS CORPORATION. ALL RIGHTS RESERVED.

LOC		DIST		REVISIONS			
P	LTR	DESCRIPTION		DATE	DWN	APVD	
	C1	REVISED PER ECR-06-026732		17NOV06	HMR	GJ	

- SPECIFICATIONS:
MAGNET WIRE #18 - #34 AWG, .040"(1.02mm)-.006"(0.16mm) DIA COPPER. OTHER SIZES MAY BE ACCOMMODATED, CONSULT TYCO ELECTRONICS FOR APPROVAL.
- POCKET RECOMMENDATION: #1601425
- TERMINAL APPLICATION TO COMPLY WITH TYCO ELECTRONICS SPECIFICATION 114-13166 FIGURE 6
- ENTIRE TERMINAL IS POST PLATED WITH .000050[1.27 MICRONS] MIN NICKEL. AREA INDICATED ALSO PLATED WITH .000050[1.25 MICRONS] MIN GOLD.
- PRELIMINARY - NOT FOR PRODUCTION



NON-STANDARD	4	5	3-1601174-3
NON-STANDARD	PRE-TIN PLATE		3-1601174-2
STANDARD	PRE-TIN PLATE		1601174-2
-	-		-
PACKAGING	FINISH		PART NUMBER

THIS DRAWING IS A CONTROLLED DOCUMENT.		DWN 27JAN2003 MICHAEL S. FEHER	Tyco Electronics Corporation Harrisburg, PA 17105-3608
DIMENSIONS: INCHES		CHK 27JAN2003 GENE JACONO	
TOLERANCES UNLESS OTHERWISE SPECIFIED:		APVD 27JAN2003 GENE JACONO	NAME
0 PLC ± -		PRODUCT SPEC	108-2085
1 PLC ± -		APPLICATION SPEC	3
2 PLC ± .01[0.25]		SIZE	A2
3 PLC ± .005[0.13]		CAGE CODE	00779
4 PLC ± -		DRAWING NO	C=1601174
ANGLES ± 2°		RESTRICTED TO	-
FINISH		SCALE	6:1
MATERIAL: BRASS, 1/2 HARD		SEE TABLE	SHEET 1 of 1
WEIGHT		CUSTOMER DRAWING	REV C1